

# JOHNSON ELECTRIC ENGINEERING LTD.

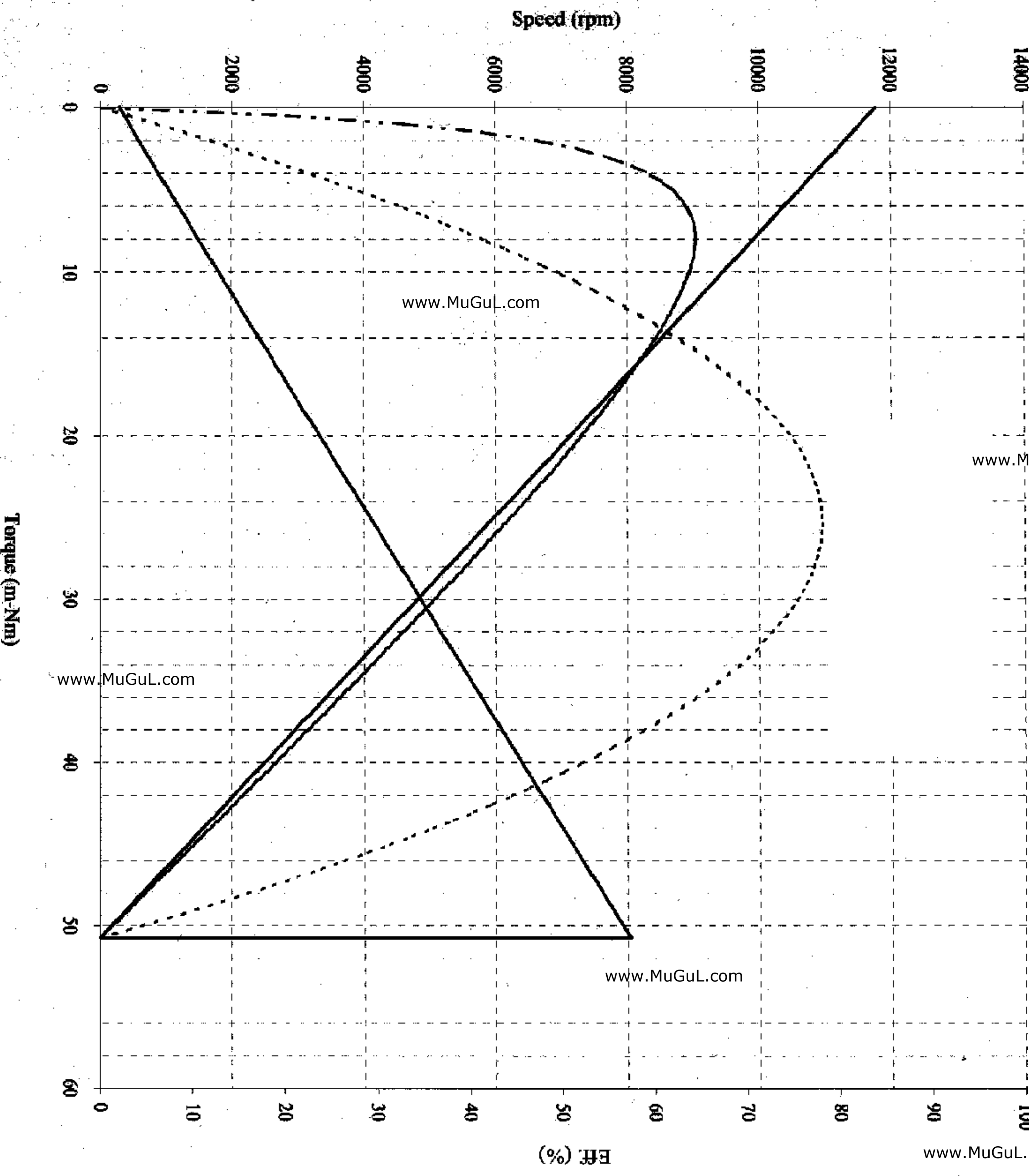
6-22, Dai Shun St., Tai Po Industrial Estate, N.T., H.K. Fax: 852-2683 8108

Project No : Production Motor  
Curve No : HC315MG-30016

Winding : 0.23 - 60

Date : 04/27/1999  
Model :

Full Scales : 10.00 Amp  
20.00 Watts



Motor tested rapidly to prevent significant temperature rise.  
At a constant voltage of 12.00 Volts with a circuit resistance of 0.000 Ohm  
(At the ambient temperature of 25-30 deg C)

**At No Load**  
Speed : 11781 Rpm  
Current : 0.200 Amp

**At Stall (Extrapolated)**  
Torque : 50.76 m-Nm  
Current : 5.74 Amp

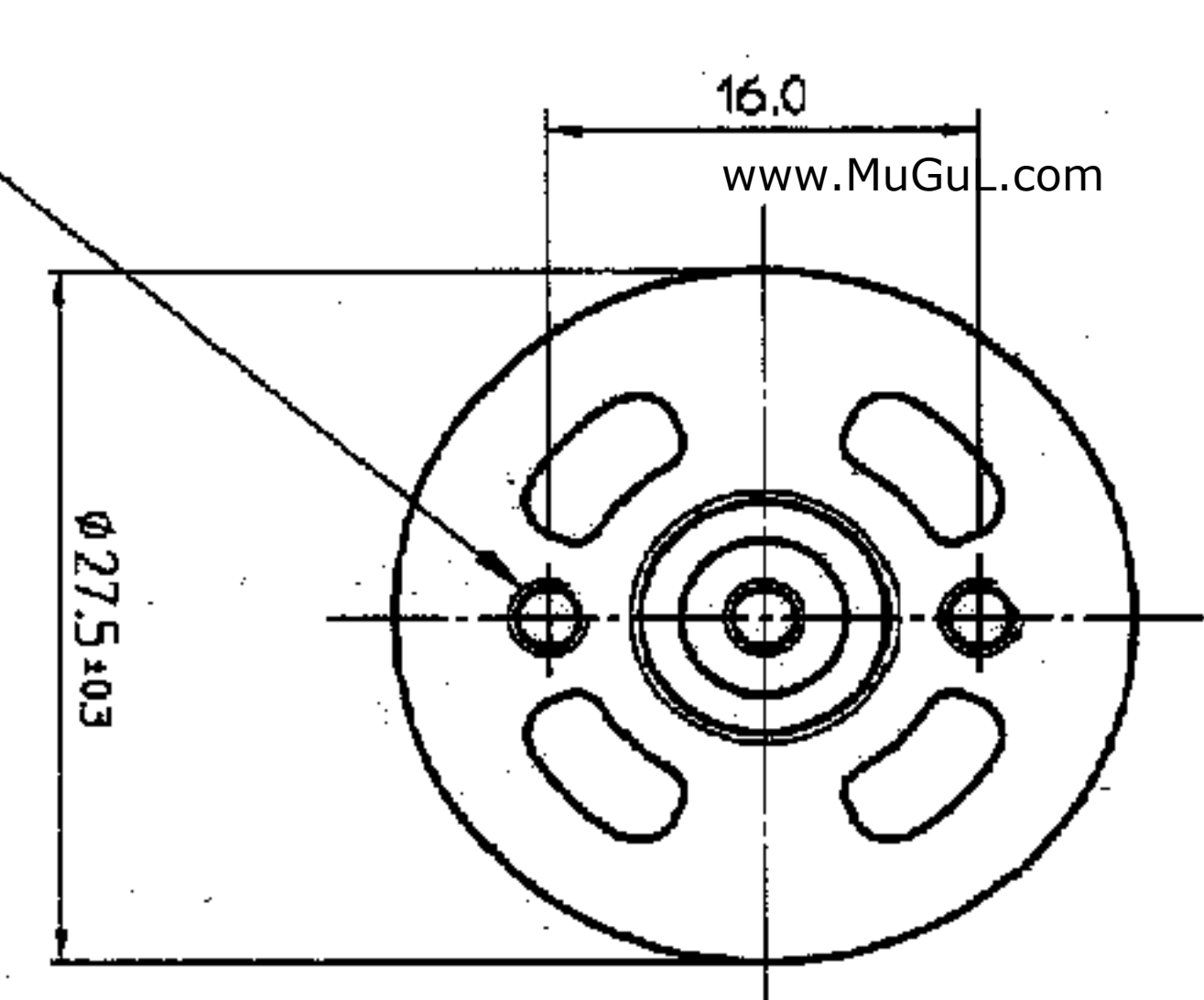
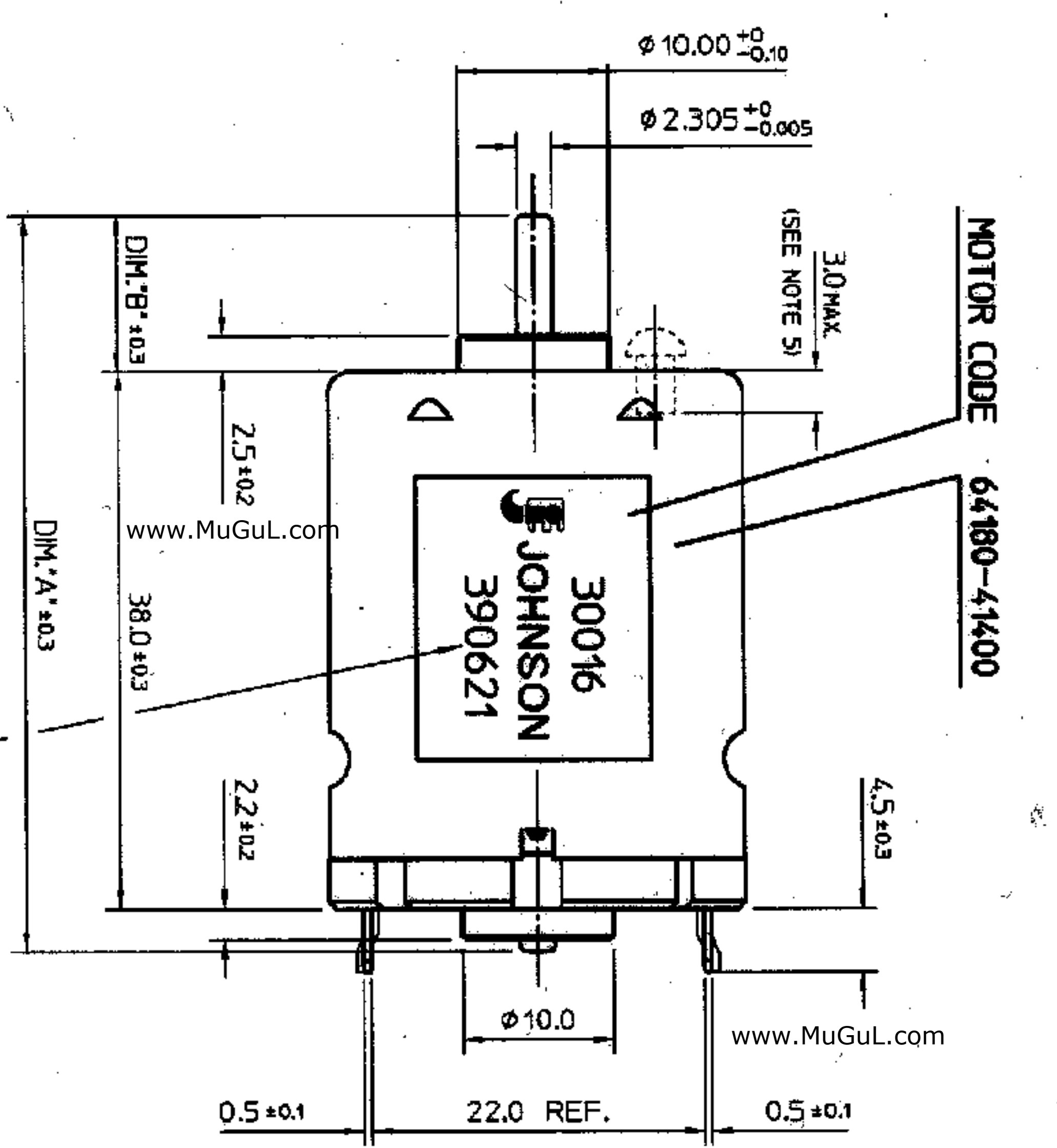
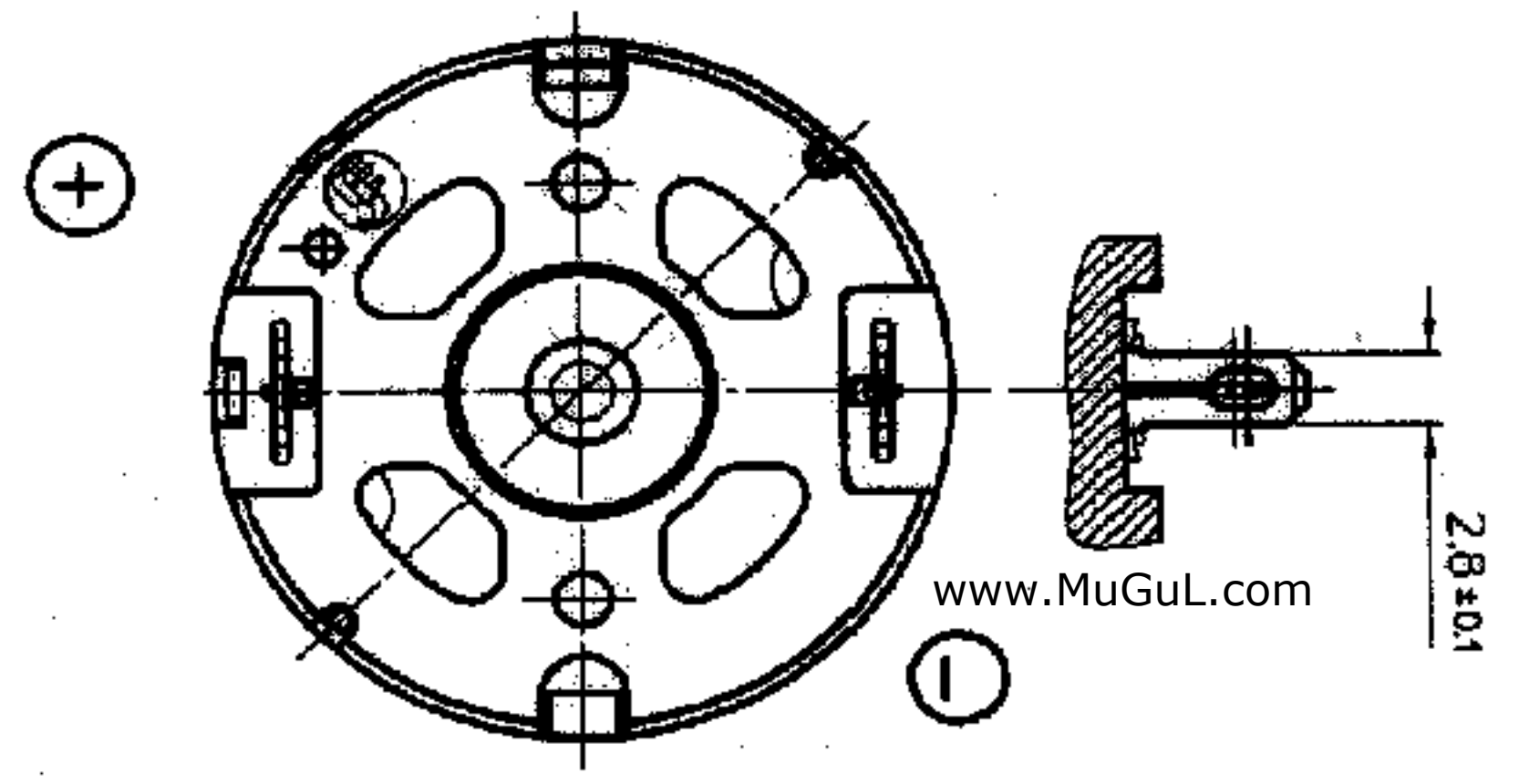
**At Maximum Efficiency**  
Efficiency : 64.52 %  
Torque : 8.12 m-Nm  
Speed : 9896 Rpm  
Current : 1.09 Amp  
Output : 8.41 Watts

**At Maximum Power**  
Torque : 25.38 m-Nm  
Speed : 5891 Rpm  
Current : 2.97 Amp  
Output : 15.65 Watts

**Characteristics**  
Torque Constant : 9.1630 m-Nm/Amp  
Dy. Resistance : 2.0910 Ohms  
Motor Regulation : 232.0780 Rpm/m-Nm

COMPUTER PRINT-OUT  
NOMINAL MOTOR CURVES.  
Performance and characteristics are measured based on limited motor samples only.

Reference no : 26308



DIRECT STAMP DATE CODE & PART NO. ONTO LABEL. CHARACTERS TO BE BLACK & NON-REMOVABLE. DATE CODE FORMAT:  
FIRST DIGIT - STAND FOR LOCATION CODE  
eg. 1 FOR P01 & P12, 3 FOR 301, 8 FOR 801  
SECOND DIGIT - STAND FOR PRODUCTION YEAR. eg. 9 FOR 1999  
THIRD & FOURTH DIGITS - STAND FOR PRODUCTION WEEK  
eg. 06 FOR 06TH WEEK  
FIFTH DIGIT - STAND FOR WEEK DAY  
eg. 1 FOR MONDAY, 2 FOR TUESDAY, 3 FOR WEDNESDAY,  
4 FOR THURSDAY, 5 FOR FRIDAY, 6 FOR SATURDAY,  
7 FOR SUNDAY.  
LAST DIGIT - STAND FOR LOT NUMBER

**NOTES:-**

1. LENGTH OF SHAFT, DIM. 'A' --- 62.0 mm.
2. FRONT EXTENSION, DIM. 'B' --- 210 mm, MEASURED WITH SHAFT PUSHED AGAINST PLASTIC END CAP.
3. DIRECTION OF ROTATION : ANTI-CLOCKWISE WHEN VIEWING MOTOR OUTPUT END WITH POSITIVE VOLTAGE APPLIED TO POSITIVE TERMINAL.
4. END PLAY : 0.50 mm, MAX.
5. MAX. MALE SCREW LENGTH ENGAGED INTO MOTOR HOUSING TO BE 3.0 mm.

ROTATION

JOHNSON ELECTRIC GROUP OF COMPANIES (JOHNSON ELECTRIC)  
This document is the Property of Johnson Electric and the information therein is confidential. Unauthorised reproduction or disclosure of this information, in whole or in part, is strictly prohibited. All products made as a result of this information are the property of Johnson Electric.  
Copyright Johnson Electric S.A. 1999. All right reserved.

BY	DATE	DESCRIPTION	SHAFT DIMS. CHANGED
A		ALTR. REF.	FIRST ISSUE
B		MATERIAL	FINISH
TITLE		MOTOR OUTLINE	
HC 315 MG		SCALE 2:1	
DATE 16/4/99		DWN. BY LLY	
CHK. BY		APP. BY	
DWG. NO. 30016-99900			