

DC MOTOR

□ 90mm sq(3.54in.sq)

D990-30A(12V) / D990-30B(24V)/ D990-30F(90V)

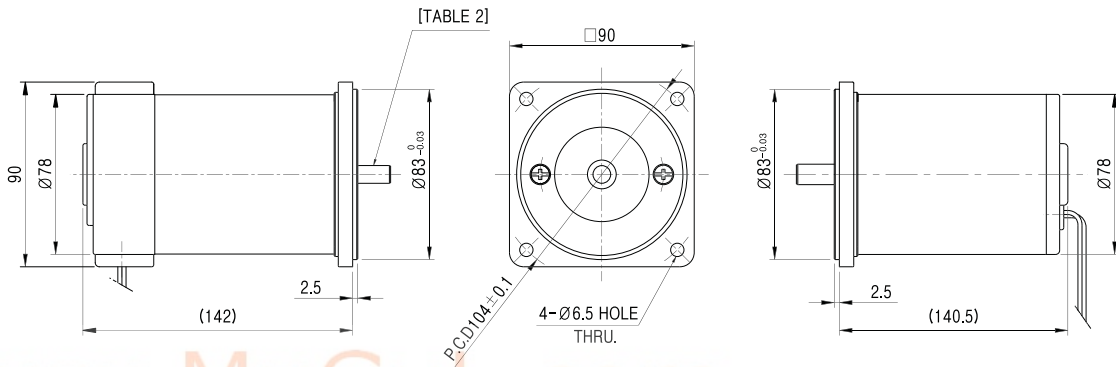


Standard Features

- Adjustable speed and high starting torque
- Replaceable brushes
- Different voltage and speed ratings available
- Models with accessory shaft for mounting a brake, encoder or double ended motor shaft
- Special making as per customer requirement is possible

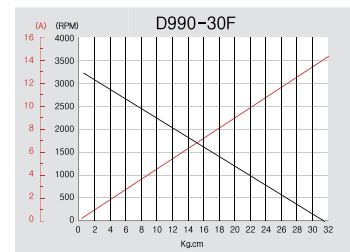
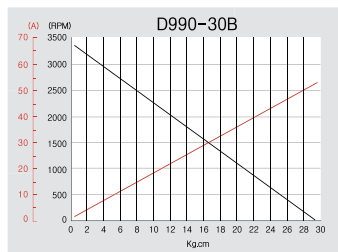
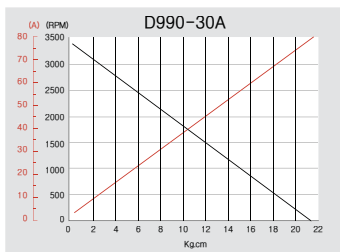


Typical outline drawing



www.MuGuL.com

Performance curve



Specification

MODEL NO.	Voltage (V)	No Load			Rated Load			Stall	
		Speed (r/min)	Current (A)	Output (W)	Speed (r/min)	Torque (kgf-cm)	Current (A)	Torque (kgf-cm)	Current (A)
D990-30A	12	3400	3.0	90	3000	2.92	12	21	80
D990-30B	24	3400	1.5	90	3000	2.92	6.2	29	55
D990-30F	90	3300	0.12	90	3000	2.92	1.2	31	15

90mm D9HK

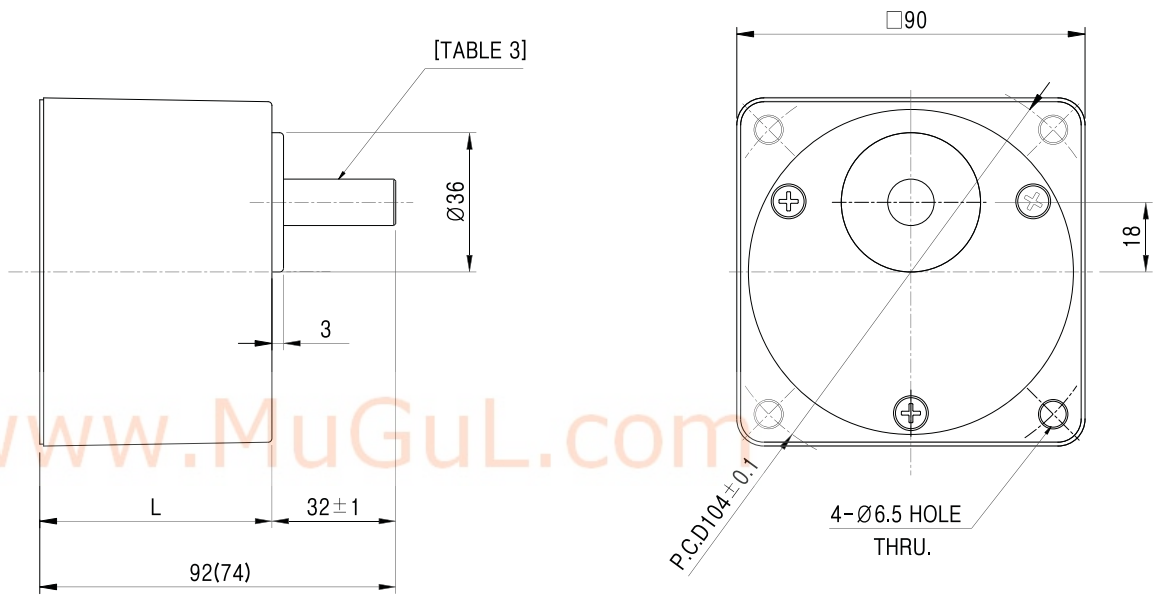


Standard Features

- High Precision, High Efficiency and High Reliability
- Wider varieties for gear ratios and shaft arrangements
- Special making as per customer requirement is possible



Typical outline drawing



Gear Ratio	L
3 ~ 18	42
20 ~ 250	60

Specification

PERMISSIBLE OVERHUNG LOAD AND PERMISSIBLE THRUST LOAD

Model	Gear Ratio	Permissible overhung load kgf	Permissible thrust load kgf
D9HK D9HD D9HS	3 ~ 18	30	10
	20 ~ 200	37	

Maximum permissible torque

UNIT=kgf · cm

Gear Ratio / Model	3	3.6	5	6	7.5	9	10	12.5	15	18	20	25
D960-30	54.2	65.0	90.3	100	100	100	100	100	100	100	100	100
D990-30	82.7	99.2	100	100	100	100	100	100	100	100	100	100

Gear Ratio / Model	30	36	40	50	60	75	90	100	120	150	180	200
D960-30	100	100	100	100	100	100	100	100	100	100	100	100
D990-30	100	100	100	100	100	100	100	100	100	100	100	100

Rotation Direction Output shaft in Gearbox

Rotation Direction as per

Gear Ratio / Model	3	3.6	5	6	7.5	9	10	12.5	15	18	20	25	30	36	40	50	60
90mm	Same	Same	Same	Same	Same	Same	Same	Same	Same	Same	Reverse	Reverse	Reverse	Reverse	Reverse	Reverse	Reverse

■ The same direction with motor ■ The reverse direction with motor

KEY TYPE

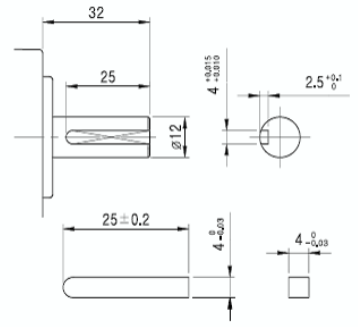


TABLE:3

model: 90mm

Gearhead