

□ 90mm sq(3.54in.sq)
D91F-30B(24V) / D91F-30F(90V)

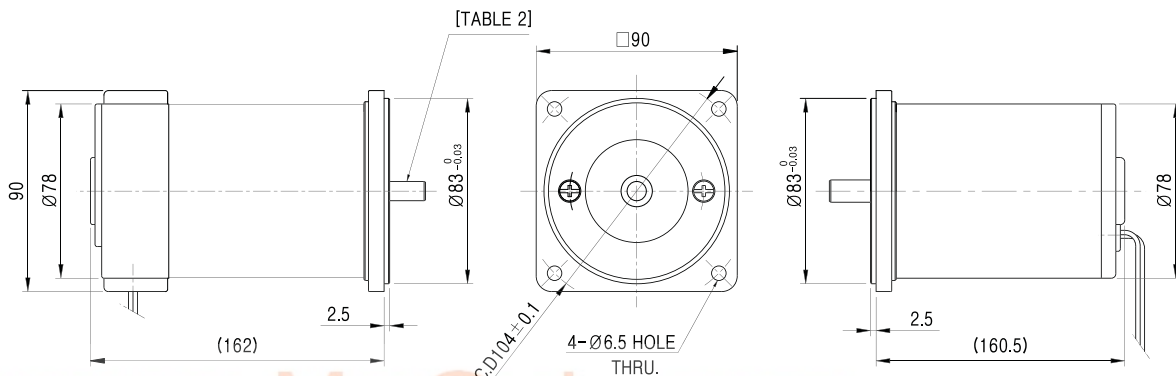


Standard Features

- Adjustable speed and high starting torque
- Replaceable brushes
- Different voltage and speed ratings available
- Models with accessory shaft for mounting a brake, encoder or double ended motor shaft
- Special making as per customer requirement is possible

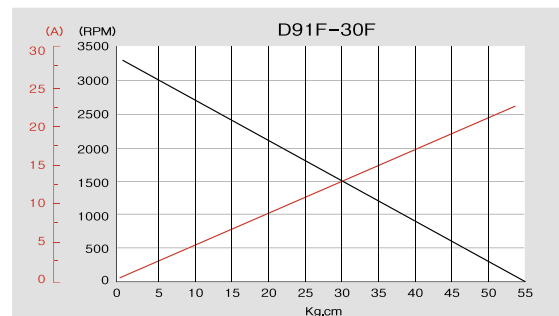
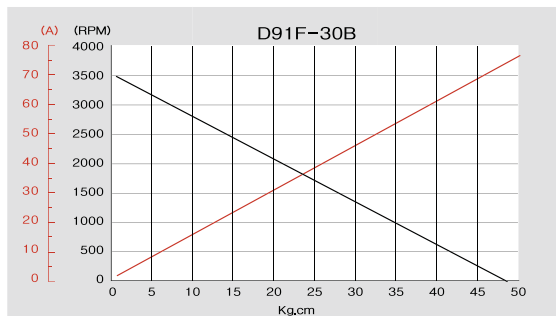


Typical outline drawing



www.MuGuL.com

Performance curve



Specification

MODEL NO.	Voltage (V)	No Load			Rated Load			Stall	
		Speed (r/min)	Current (A)	Output (W)	Speed (r/min)	Torque (kgf-cm)	Current (A)	Torque (kgf-cm)	Current (A)
D91F-30B	24	3400	1.8	150	3000	4.87	8	48	78
D91F-30F	90	3200	0.5	150	3000	4.87	2	52	23

Powerful Gearhead D9HK□□□VS

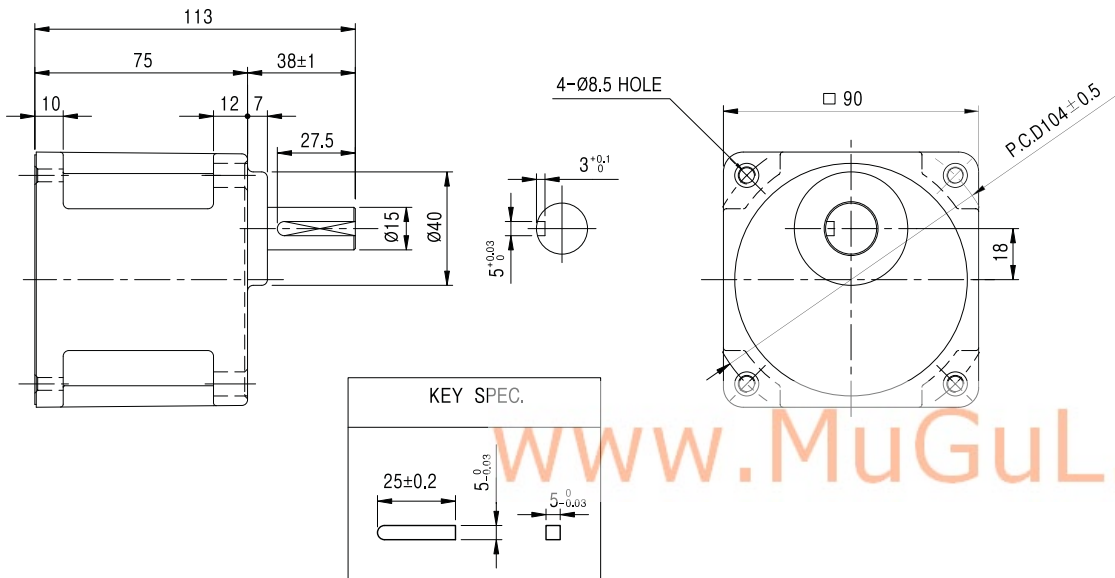


Standard Features

- High Precision, High Efficiency and High Reliability
- Wider varieties for gear ratios and shaft arrangements
- Special making as per customer requirement is possible



Typical outline drawing



Specification

PERMISSIBLE OVERHUNG LOAD AND PERMISSIBLE THRUST LOAD

Model	Gear Ratio	Permissible overhung load kgf	Permissible thrust load kgf
D9HK□VS	3 ~ 10	45	15
	12.5 ~ 20	52	
	25 ~ 200	60	

Maximum permissible torque

UNIT=kgf · cm

Gear Ratio / Model	3	3.6	5	6	7.5	9	10	12.5	15	18	20	25
D9HK□VS	200	200	200	200	200	200	200	200	200	200	200	200

Gear Ratio / Model	30	36	40	50	60	75	90	100	120	150	180	200
D9HK□VS	200	200	200	200	200	200	200	200	200	200	200	200

Rotation Direction Output shaft in Gearbox

Rotation Direction as per Gear Ratio

Gear Ratio / Model	3	3.6	5	6	7.5	9	10	12.5	15	18	20	25	30	36	40	50	60	75	90	100	120	150	180	200
□90mm	Blue	Blue	Blue	Blue	Blue	Blue	Blue	Blue	Blue	Blue	Blue	Blue	Blue	Blue	Blue	Blue	Blue	Blue	Blue	Blue	Blue	Blue	Blue	Blue

■ The same direction with motor ■ The reverse direction with motor